

1.25 Watt Audio Power Amplifier

CP2290_PB_Rev1.0 Oct,2005

OVERVIEW

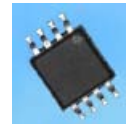
The CP2290 is an audio power amplifier designed for portable communication device applications. It is capable of delivering 1.25 watt of continuous average power to an 8Ω BTL load with less than 1% distortion (THD+N) from a 5V battery voltage. It operates from 2.2V to 5.5V.

Features like excellent RF-rectification immunity, the space-saving 9-bump micro SMD and 8-pin MSOP8 packages, the advanced pop & click circuitry, a minimal count of external components and low-power shutdown mode make CP2290 ideal for wireless handsets.

The CP2290 is unity-gain stable, and the gain can be configured by external resistors.



9-Bump micro SMD
-40°C ~ 85°C



Mini Small Outline (MSOP8)
Package
-40°C ~ 85°C

FEATURES

- 2.2V - 5.5V operation
- Power output at 5.0V & 1% THD 1.25W (typ)
- Power output at 3.6V & 1% THD 0.6W (typ)
- Ultra low shutdown current 0.01μA (typ)
- Improved pop & click circuitry eliminates noises during turn-on and turn-off transitions
- Thermal overload protection circuitry
- No output coupling capacitors, bootstrap capacitors required
- Unity-gain stable
- External gain configuration capability
- Available in space-saving packages: 9-bump micro SMD and 8-pin MSOP8

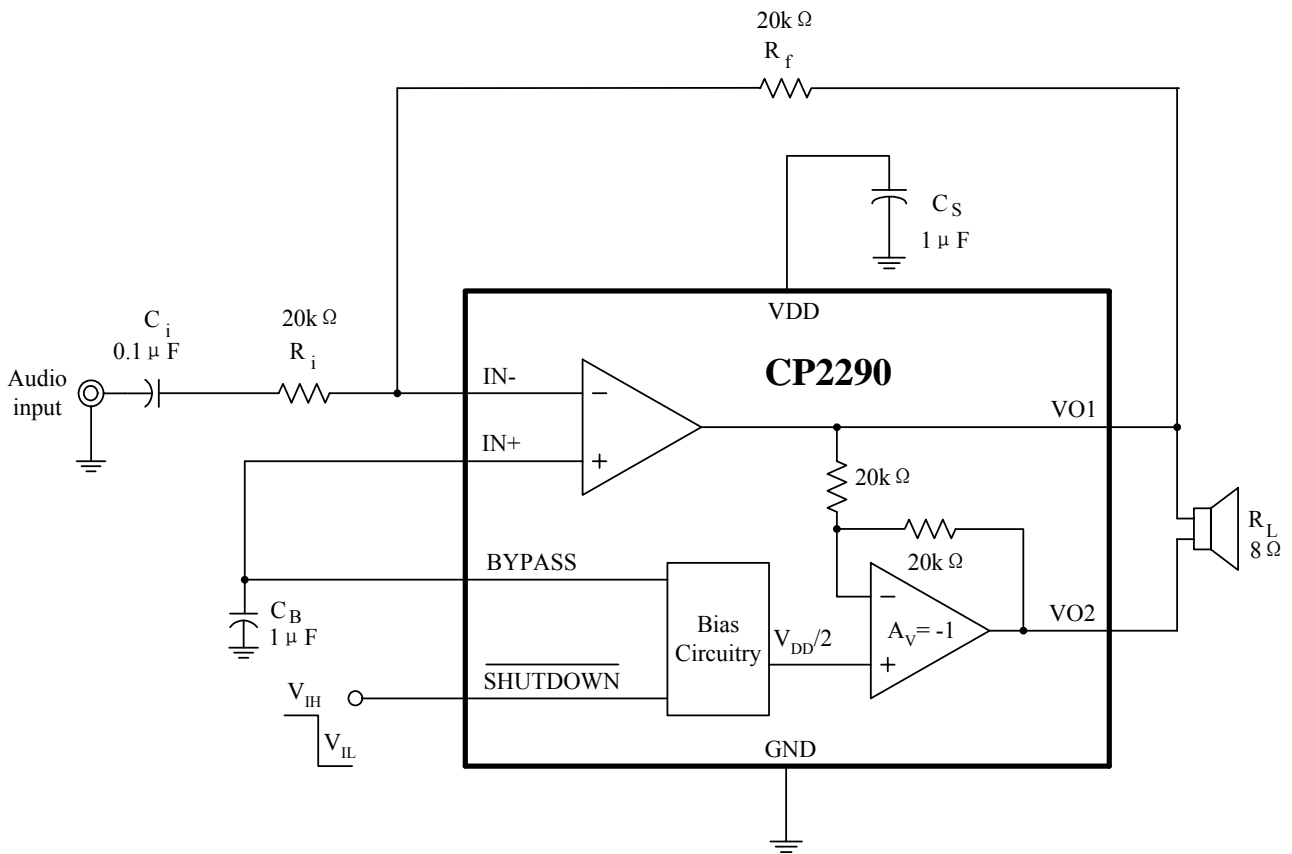
1.25 Watt Audio Power Amplifier

CP2290_PB_Rev1.0 Oct,2005

APPLICATIONS

- Wireless handsets
- Portable audio devices
- PDAs, Notebook computers

TYPICAL APPLICATION

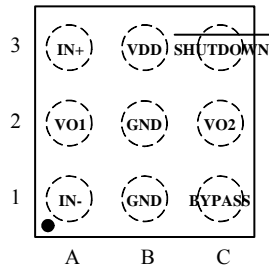


1.25 Watt Audio Power Amplifier

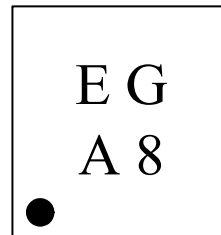
CP2290_PB_Rev1.0 Oct,2005

Pin Diagram (Top View)

9 Bump micro SMD Package (Top View)

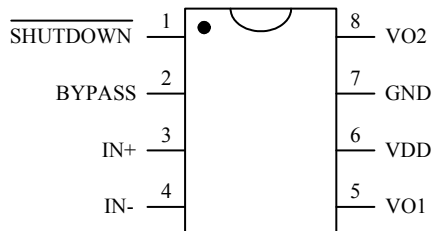


9 Bump micro SMD Marking

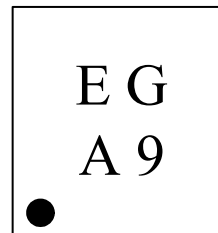


E - Die Run Traceability
G - Date Code
A8 - CP2290ITLX

Mini Small Outline (MSOP8) Package (Top View)



MSOP8 Marking



E - Die Run Traceability
G - Date Code
A9 - CP2290MM

Chiphomer Technology Limited
Add: 4F, Building D, 1618 Yishan Road, Shanghai, 201103, P.R.C
Tel: (86)21-64058488, 64014543
Fax: (86)21-64050030
Email: sales@chiphomer.com
Web: www.chiphomer.com

Shenzhen Office:
10D, Building 2, Dushi Yangguang Garden CheGongMiao, Futian District, Shenzhen, 518048, P.R.C.
Tel: (86)755-82046706, 82047789
Fax: (86)755-82046709